

Remote Display



FEATURES OF REMOTE DISPLAY

Input

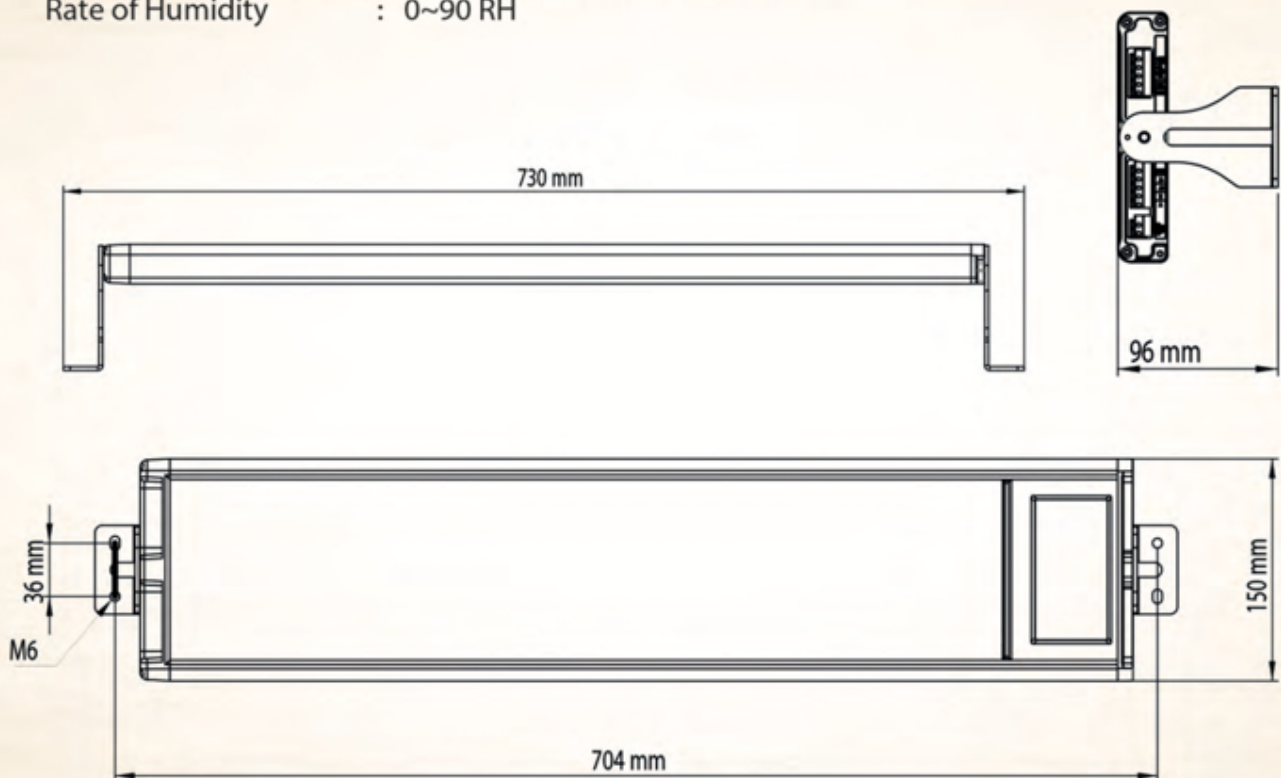
Analog : 0-10 Volt
Digital : RS232 | RS485 | CAN BUS
Sampling Time : 0,2 Second

Supply Voltage

Supply Soltage : 85 - 265 VAC 50/60Hz

Environmental

Infomation Storage : EEPROM(minimum 10 years).
Operating Temperature : -30 - 65°C (without condensation)
Rate of Humidity : 0~90 RH



Sales Contact:

info@saionics.com | saionics.com | +971 56 4411 616